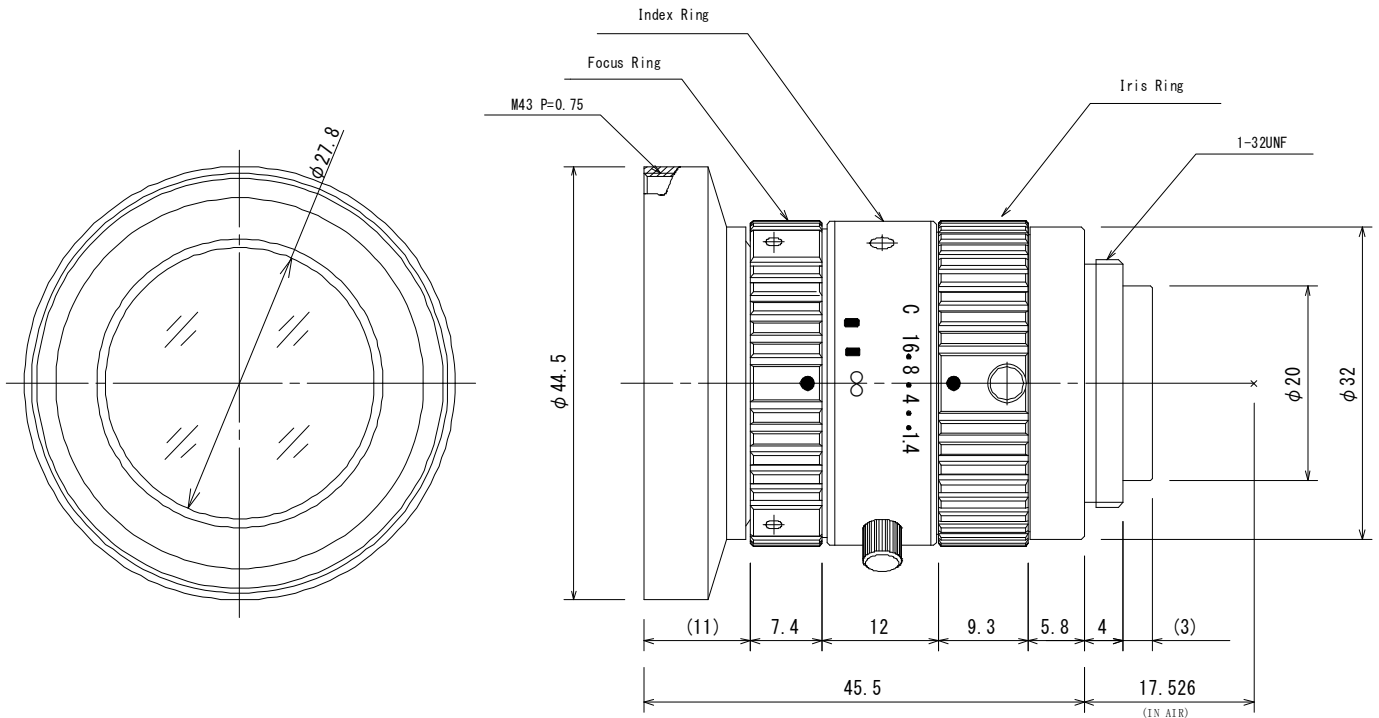


# H0514-VSW

f=5mm F1.4 ViSWIR Lite  
for Visible+SWIR image sensor, Fixed-focal  
C-Mount

|                                |  |                           |  |                   |  |                    |  |                   |  |       |  |          |  |       |  |
|--------------------------------|--|---------------------------|--|-------------------|--|--------------------|--|-------------------|--|-------|--|----------|--|-------|--|
| Model No.                      |  | H0514-VSW                 |  | Effective         |  | Front              |  | φ 27.8mm          |  |       |  |          |  |       |  |
| Focal Length                   |  | 5mm                       |  | Lens Aperture     |  | Rear               |  | φ 14.8mm          |  |       |  |          |  |       |  |
| Max. Aperture Ratio            |  | 1:1.4                     |  | Distortion        |  | 1/2type            |  | -0.48%(y=4.0)     |  |       |  |          |  |       |  |
| Max. Image Format              |  | 6.40mm x 5.12mm(φ 8.20mm) |  |                   |  | 1/3type            |  | -2.26%(y=3.0)     |  |       |  |          |  |       |  |
| Transmittance Wavelength Range |  | 400nm - 1700nm            |  | Back Focal Length |  | 10.8mm             |  |                   |  |       |  |          |  |       |  |
| Operation Range                |  | Iris                      |  | F1.4 - 16C        |  | Flange Back Length |  | 17.526mm          |  |       |  |          |  |       |  |
|                                |  | Focus                     |  | 0.1m - 0.9m       |  | Mount              |  | C-Mount           |  |       |  |          |  |       |  |
| Control                        |  | Iris                      |  | Manual            |  | Filter Size        |  | M43 P=0.75mm      |  |       |  |          |  |       |  |
|                                |  | Focus                     |  | Manual            |  | Dimensions         |  | φ 44.5mm x 45.5mm |  |       |  |          |  |       |  |
| Operating Temperature          |  | -10°C - +50°C             |  | Weight            |  | 102g               |  |                   |  |       |  |          |  |       |  |
| Angle of View                  |  | D                         |  | IMX990            |  | 77.8°              |  | IMX991            |  | 44.6° |  | 1/2 type |  | 76.7° |  |
|                                |  | H                         |  | 6.40mm x 5.12mm   |  | 65.5°              |  | 3.20mm x 2.56mm   |  | 35.3° |  |          |  | 65.5° |  |
|                                |  | V                         |  | (φ 8.20mm)        |  | 54.5°              |  | (φ 4.10mm)        |  | 28.5° |  |          |  | 51.4° |  |

## Dimensions

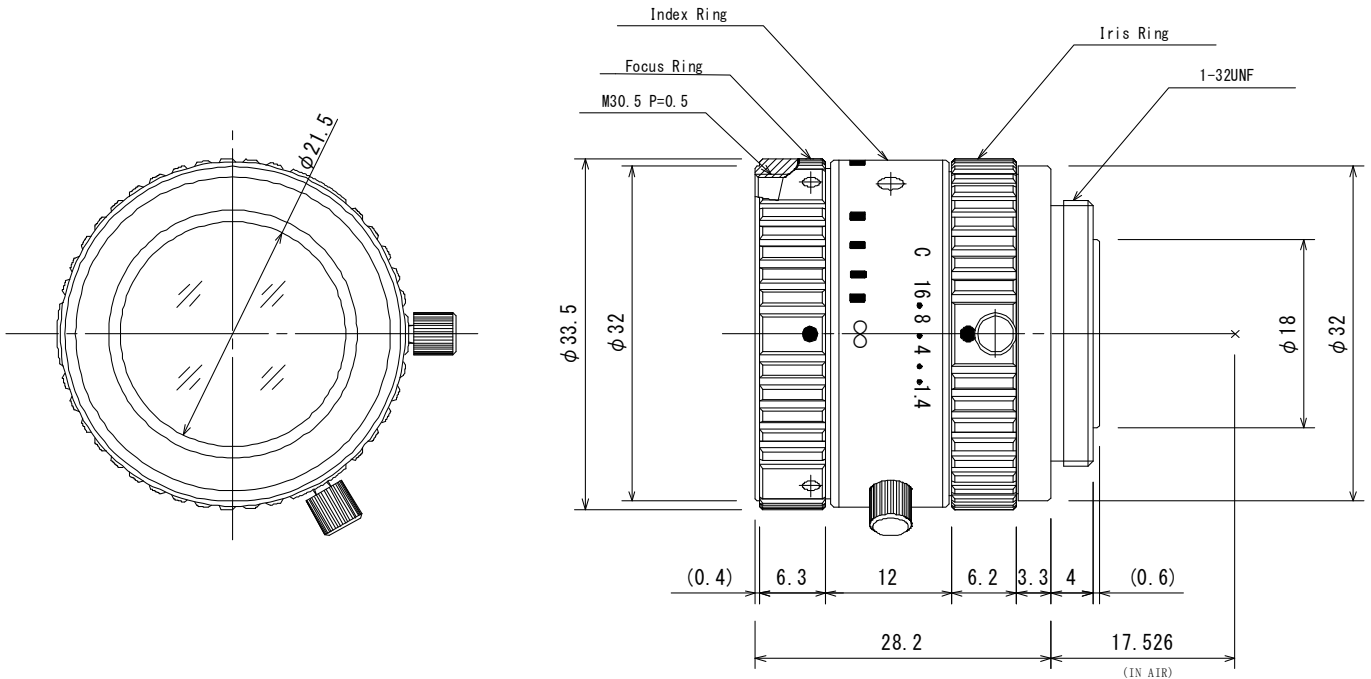


# M0814-VSW

f=8mm F1.4 ViSWIR Lite  
for Visible+SWIR image sensor, Fixed-focal  
C-Mount

|                                |       |                       |       |                    |            |                   |              |
|--------------------------------|-------|-----------------------|-------|--------------------|------------|-------------------|--------------|
| Model No.                      |       | M0814-VSW             |       | Effective          | Front      | φ 21.5mm          |              |
| Focal Length                   |       | 8mm                   |       | Lens Aperture      | Rear       | φ 12.0mm          |              |
| Max. Aperture Ratio            |       | 1:1.4                 |       |                    | Distortion | 2/3type           | -0.1%(y=5.5) |
| Max. Image Format              |       | 8.8mm x 6.6mm(φ 11mm) |       | 1/2type            |            | -1.1%(y=4.0)      |              |
| Transmittance Wavelength Range |       | 400nm - 1700nm        |       | Back Focal Length  |            | 13.1mm            |              |
| Operation Range                | Iris  | F1.4 - F16C           |       | Flange Back Length |            | 17.526mm          |              |
|                                | Focus | 0.1m - Inf.           |       | Mount              |            | C-Mount           |              |
| Control                        | Iris  | Manual                |       | Filter Size        |            | M30.5 P=0.5mm     |              |
|                                | Focus | Manual                |       | Dimensions         |            | φ 33.5mm x 28.2mm |              |
| Operating Temperature          |       | -10°C - +50°C         |       | Weight             |            | 62.6g             |              |
| Angle of View                  | D     | IMX990                | 53.0° | IMX991             | 27.9°      | 2/3 type          | 67.1°        |
|                                | H     | 6.40mm x 5.12mm       | 42.5° | 3.20mm x 2.56mm    | 21.9°      |                   | 56.3°        |
|                                | V     | (φ 8.20mm)            | 34.5° | (φ 4.10mm)         | 17.6°      |                   | 43.7°        |

## Dimensions



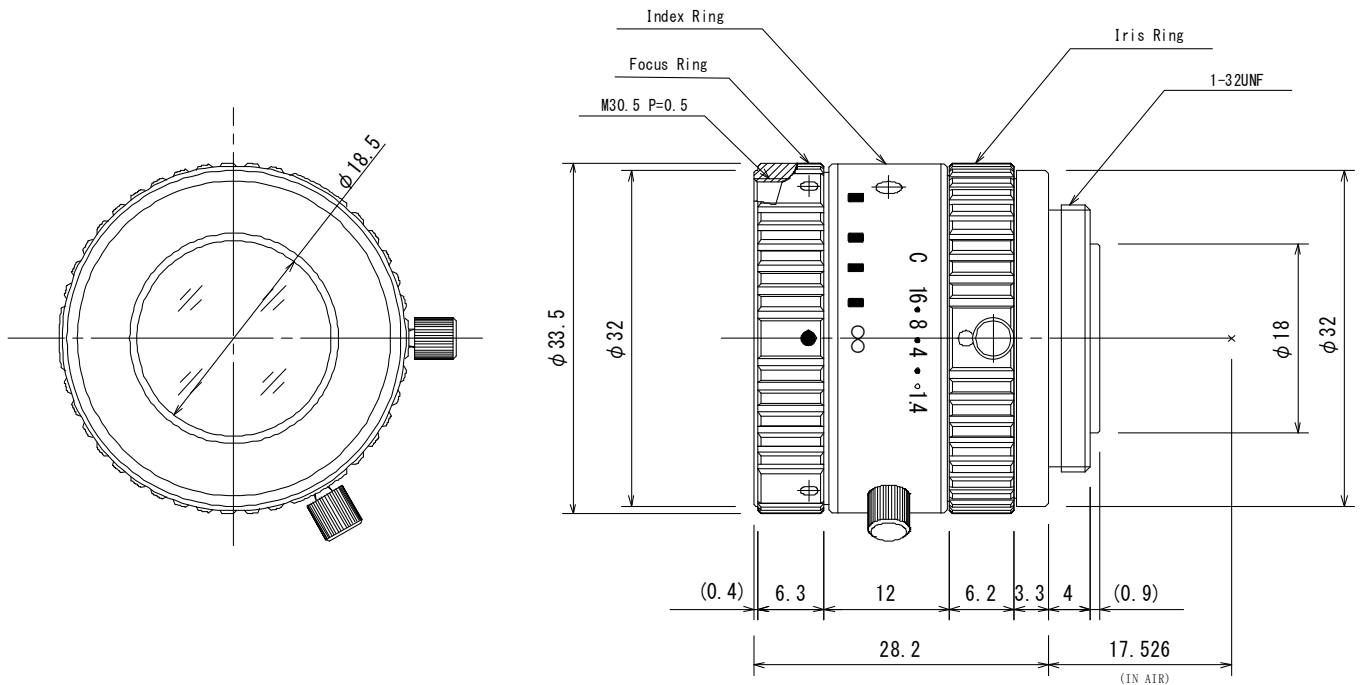


# M1614-VSW

f=16mm F1.4 ViSWIR Lite  
for Visible+SWIR image sensor, Fixed-focal  
C-Mount

|                                |       |                       |       |                    |       |                   |              |
|--------------------------------|-------|-----------------------|-------|--------------------|-------|-------------------|--------------|
| Model No.                      |       | M1614-VSW             |       | Effective          |       | Front             | φ 18.5mm     |
| Focal Length                   |       | 16mm                  |       | Lens Aperture      |       | Rear              | φ 13.2mm     |
| Max. Aperture Ratio            |       | 1:1.4                 |       | Distortion         |       | 2/3type           | -0.1%(y=5.5) |
| Max. Image Format              |       | 8.8mm x 6.6mm(φ 11mm) |       |                    |       | 1/2type           | -0.3%(y=4.0) |
| Transmittance Wavelength Range |       | 400nm - 1700nm        |       | Back Focal Length  |       | 13.1mm            |              |
| Operation Range                | Iris  | F1.4- F16C            |       | Flange Back Length |       | 17.526mm          |              |
|                                | Focus | 0.3m - Inf.           |       | Mount              |       | C-Mount           |              |
| Control                        | Iris  | Manual                |       | Filter Size        |       | M30.5 P=0.5mm     |              |
|                                | Focus | Manual                |       | Dimensions         |       | φ 33.5mm x 28.2mm |              |
| Operating Temperature          |       | -10°C - +50°C         |       | Weight             |       | 60g               |              |
| Angle of View                  | D     | IMX990 (SXGA)         | 28.8° | IMX991 (VGA)       | 14.6° | 2/3 type          | 38.0°        |
|                                | H     | 6.40mm x 5.12mm       | 22.7° | 3.20mm x 2.56mm    | 11.4° |                   | 30.8°        |
|                                | V     | (φ 8.20mm)            | 18.2° | (φ 4.10mm)         | 9.2°  |                   | 23.4°        |

## Dimensions

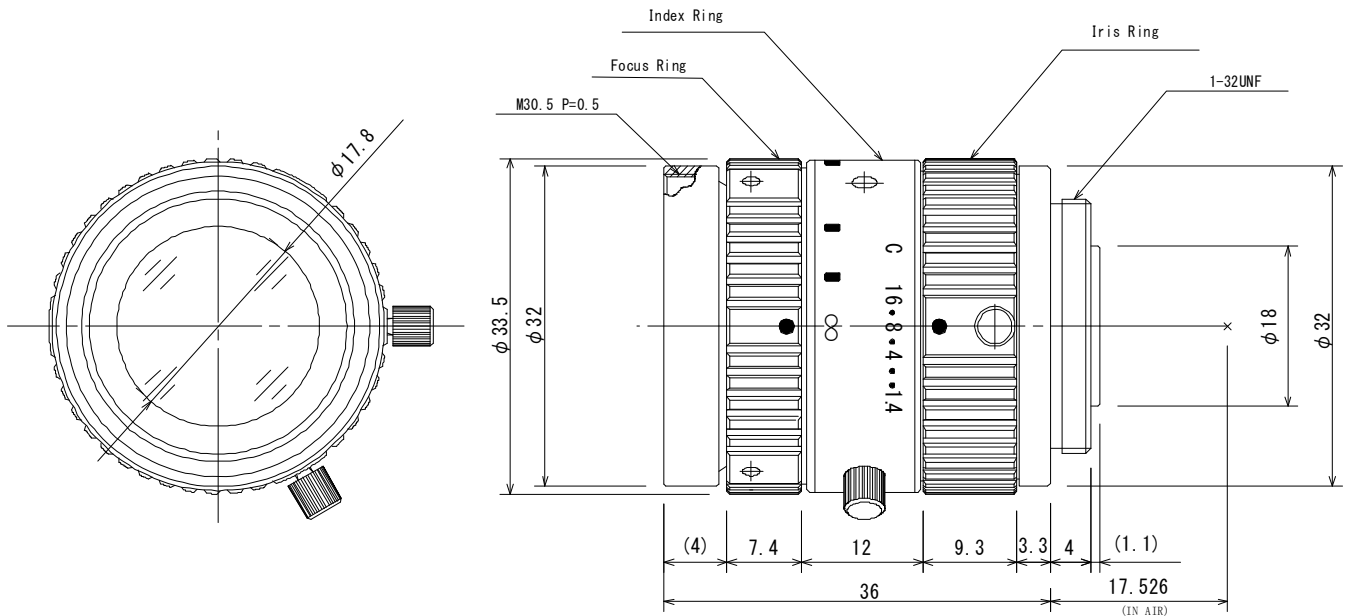


# M2514-VSW

f=25mm F/1.4 ViSWIR Lite  
for Visible+SWIR image sensor, Fixed-focal  
C-Mount

|                                |       |                       |       |                    |      |                 |       |              |  |
|--------------------------------|-------|-----------------------|-------|--------------------|------|-----------------|-------|--------------|--|
| Model No.                      |       | M2514-VSW             |       | Effective          |      | Front           |       | φ 17.8mm     |  |
| Focal Length                   |       | 25mm                  |       | Lens Aperture      |      | Rear            |       | φ 12.0mm     |  |
| Max. Aperture Ratio            |       | 1:1.4                 |       | Distortion         |      | 2/3type         |       | -0.3%(y=5.5) |  |
| Max. Image Format              |       | 8.8mm x 6.6mm(φ 11mm) |       |                    |      | 1/2type         |       | -0.1%(y=4.0) |  |
| Transmittance Wavelength Range |       | 400nm - 1700nm        |       | Back Focal Length  |      | 13.1mm          |       |              |  |
| Operation Range                | Iris  | F1.4 - F16C           |       | Flange Back Length |      | 17.526mm        |       |              |  |
|                                | Focus | 0.3m - Inf.           |       | Mount              |      | C-Mount         |       |              |  |
| Control                        | Iris  | Manual                |       | Filter Size        |      | M30.5 P=0.5mm   |       |              |  |
|                                | Focus | Manual                |       | Dimensions         |      | φ 33.5mm x 36mm |       |              |  |
| Operating Temperature          |       | -10°C - +50°C         |       | Weight             |      | 71.2g           |       |              |  |
| Angle of View                  | D     | IMX990                | 18.6° | IMX991             | 9.4° | 2/3 type        | 24.9° |              |  |
|                                | H     | 6.40mm x 5.12mm       | 14.6° | 3.20mm x 2.56mm    | 7.3° |                 | 20.0° |              |  |
|                                | V     | (φ 8.20mm)            | 11.7° | (φ 4.10mm)         | 5.9° |                 | 15.1° |              |  |

## Dimensions

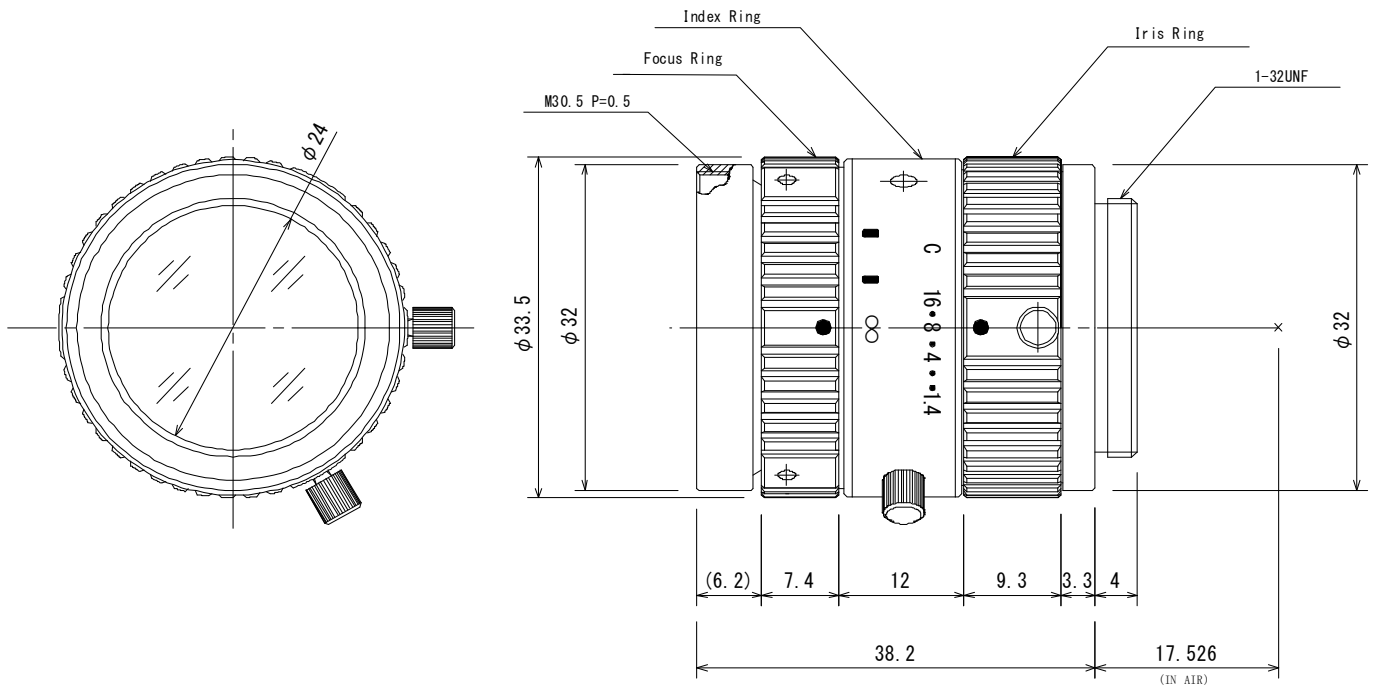


# M3514-VSW

f=35mm F1.4 ViSWIR Lite  
for Visible+SWIR image sensor, Fixed-focal  
C-Mount

|                                |       |                       |       |                    |          |                   |       |
|--------------------------------|-------|-----------------------|-------|--------------------|----------|-------------------|-------|
| Model No.                      |       | M3514-VSW             |       | Effective          | Front    | φ 24mm            |       |
| Focal Length                   |       | 35mm                  |       | Lens Aperture      | Rear     | φ 12mm            |       |
| Max. Aperture Ratio            |       | 1:1.4                 |       | Distortion         | 2/3 type | -0.8%(y=5.5)      |       |
| Max. Image Format              |       | 8.8mm x 6.6mm(φ 11mm) |       |                    | 1/2 type | -0.39%(y=4.0)     |       |
| Transmittance Wavelength Range |       | 400nm - 1700nm        |       | Back Focal Length  |          | 17.1mm            |       |
| Operation Range                | Iris  | F1.4 - F16C           |       | Flange Back Length |          | 17.526mm          |       |
|                                | Focus | 0.3m - Inf.           |       | Mount              |          | C-Mount           |       |
| Control                        | Iris  | Manual                |       | Filter Size        |          | M30.5 P=0.5mm     |       |
|                                | Focus | Manual                |       | Dimensions         |          | φ 33.5mm x 38.2mm |       |
| Operating Temperature          |       | -10°C - +50°C         |       | Weight             |          | 87g               |       |
| Angle of View                  | D     | IMX990                | 13.7° | IMX991             | 6.9°     | 2/3 type          | 17.3° |
|                                | H     | 6.40mm x 5.12mm       | 10.7° | 3.20mm x 2.56mm    | 5.4°     |                   | 13.9° |
|                                | V     | (φ 8.20mm)            | 8.6°  | (φ 4.10mm)         | 4.3°     |                   | 10.4° |

## Dimensions

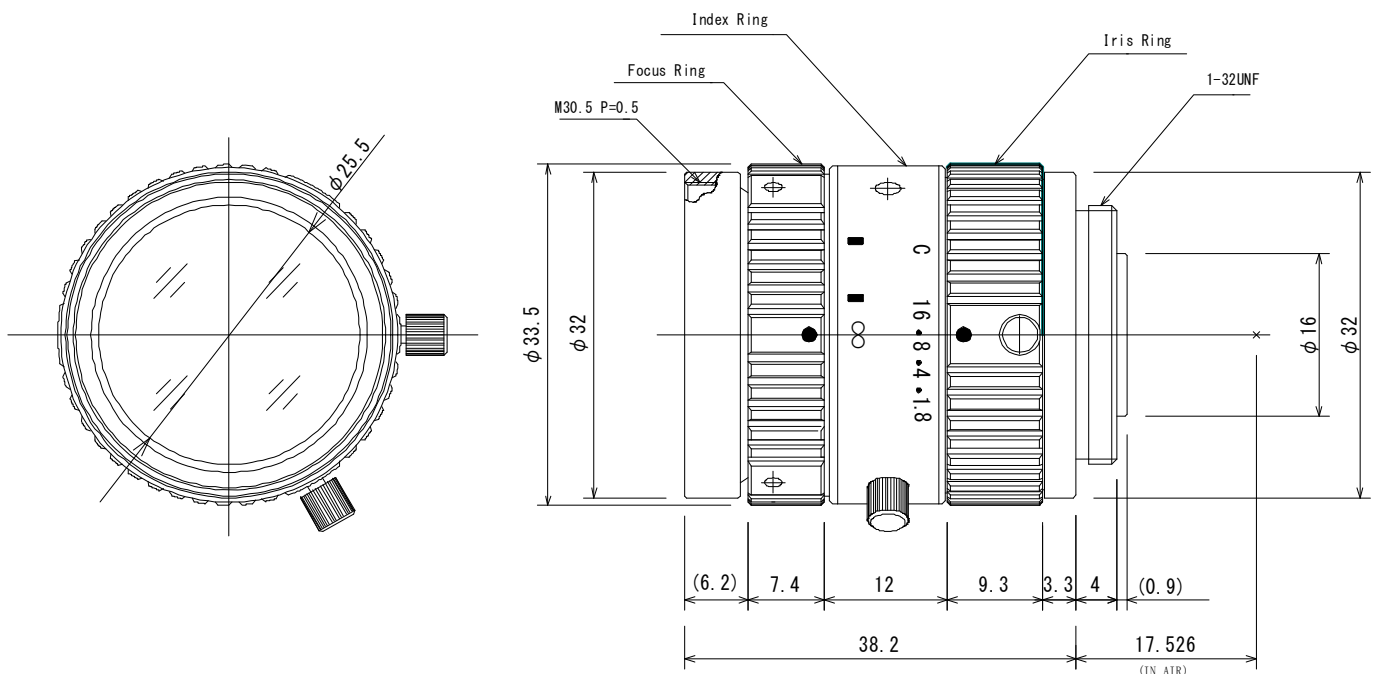


# M5018-VSW

f=50mm F1.8 ViSWIR Lite  
for Visible+SWIR image sensor, Fixed-focal  
C-Mount

|                                |       |                       |      |                    |      |                   |       |              |  |
|--------------------------------|-------|-----------------------|------|--------------------|------|-------------------|-------|--------------|--|
| Model No.                      |       | M5018-VSW             |      | Effective          |      | Front             |       | φ 25.5mm     |  |
| Focal Length                   |       | 50mm                  |      | Lens Aperture      |      | Rear              |       | φ 9.6mm      |  |
| Max. Aperture Ratio            |       | 1:1.8                 |      | Distortion         |      | 2/3type           |       | -0.3%(y=5.5) |  |
| Max. Image Format              |       | 8.8mm x 6.6mm(φ 11mm) |      |                    |      | 1/2type           |       | -0.2%(y=4.0) |  |
| Transmittance Wavelength Range |       | 400nm - 1700nm        |      | Back Focal Length  |      | 13.1mm            |       |              |  |
| Operation Range                | Iris  | F1.8- F16C            |      | Flange Back Length |      | 17.526mm          |       |              |  |
|                                | Focus | 0.5m - Inf.           |      | Mount              |      | C-Mount           |       |              |  |
| Control                        | Iris  | Manual                |      | Filter Size        |      | M30.5 P=0.5mm     |       |              |  |
|                                | Focus | Manual                |      | Dimensions         |      | φ 33.5mm x 38.2mm |       |              |  |
| Operating Temperature          |       | -10°C - +50°C         |      | Weight             |      | 85g               |       |              |  |
| Angle of View                  | D     | IMX990                | 9.8° | IMX991             | 4.9° | 2/3 type          | 13.1° |              |  |
|                                | H     | 6.40mm x 5.12mm       | 7.6° | 3.20mm x 2.56mm    | 3.8° |                   | 10.5° |              |  |
|                                | V     | (φ 8.20mm)            | 6.1° | (φ 4.10mm)         | 3.1° |                   | 7.9°  |              |  |

## Dimensions



Contact : [imageoptics.co.uk](http://imageoptics.co.uk)

Tel: +44 (0)118 9793727