

TEC-55 Telecentric Lens

55mm F2.8

for 1/2" format cameras

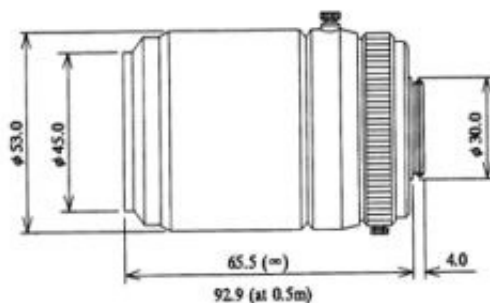
C-Mount

Close Up Lens

Model No.	TEC-M55		Effective Lens Aperture	Front	33.0mm(diameter)
Focal Length	55mm			Rear	13.3mm(diameter)
Max. Aperture Ratio	1:2.8		Back Focal Length		29.8mm
Max. Image Format HxVxD	8.8 x 6.6 x 11mm		Flange Back Length		17.526mm
Operation Range	Iris	F2.8 - 32C	Mount		C-Mount
	Focus	0.14 - Inf.	Filter Size		M43x0.75mm
Control	Iris	Manual	Dimensions		53.0xD92.9mm
	Focus	Manual	Weight		320g
Object Dimension at M.O.D.	17x13mm				-
Angle of View (degrees)	D	11.5			
	H	2/3"			
	V	6.9			
Operating Temperature	-20C - +50C				

M.O.D. : Minimum Object Distance

Dimensions



When using Optical accessories, Please remove (Screw-out) Dust-Proof cover glass.

f = 55 mm

Object Distance	Object Size (Horizontal)	
	2/3" Format	1/2" Format
5,000 mm	700 mm	550 mm
3,000	400	320
1,000	150	120
500	70	53
300	40	32
200	27	20
140	17	12

Object Distance : Distance from Lens surface to Object

Object Size : Full Size appeared on Monitor

Optional Accessories

