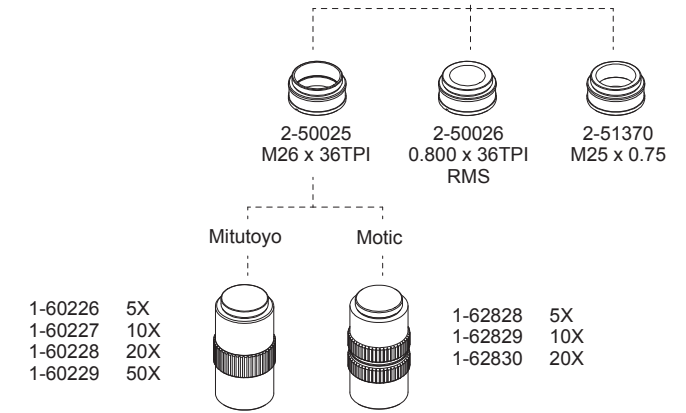
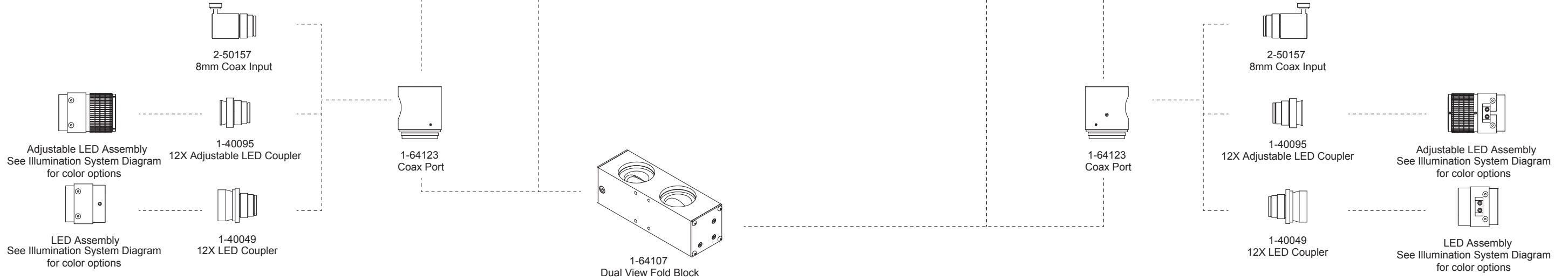
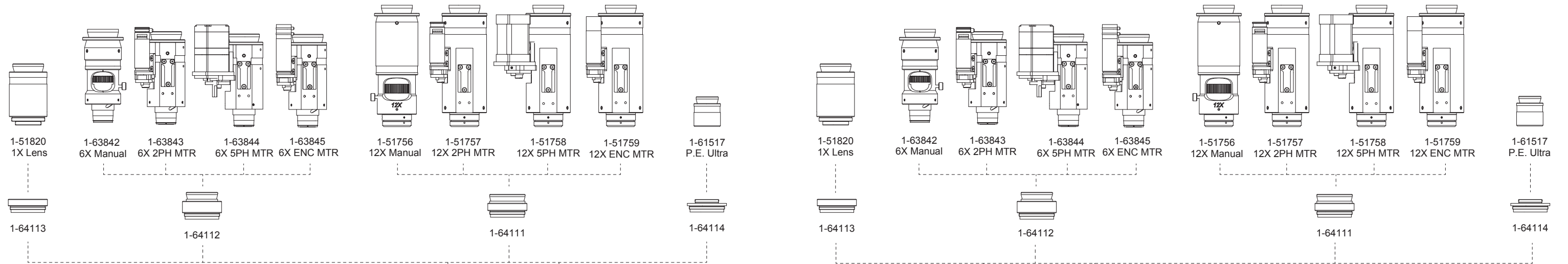


Dual View Lens System Diagram

Adapter Tube Required (1-6015 or 1-6218 suggested)

Adapter Tube Required (1-6015 or 1-6218 suggested)



Note: Factory alignment of all parts is required.

